

# Console Mount and Surface Mount British Standard Outlet Slim Style



## Features:

- Flow rate exceeds the requirements of ISO 9170
- Accepts only British Standard type gas-specific probes (quick connects) BS 5682
- 100% Pressure testing of each outlet and cleaned for medical gas service
- Indexed to eliminate interchangeability of gas services
- 360° swivel inlet pipe for easy installation (Console Mounted Terminal Unit only)

## General Specifications:

Outlets shall be manufactured with a 6-1/2" [165 mm] length type "K", flared to 1/2" [12 mm] inside diameter, copper inlet pipe stub which is silver brazed to the outlet body. Body shall be one piece brass construction. For positive pressure gas services, the outlet shall be equipped with a primary and secondary check valve and the secondary check valve shall be rated at a maximum of 200 psi [1,379 kPa] in the event the primary check valve is removed for maintenance. Outlet bodies shall be gas-specific by indexing each gas service to a gas-specific dual pin indexing arrangement on the respective identification module.

A colour coded label shall be used for ease of gas identification and aesthetic appeal.

The latch-valve assembly shall be British Standard type and only accept corresponding British Standard type gas-specific adapters.

All outlets shall be cleaned and degreased for medical gas service, factory assembled and tested.

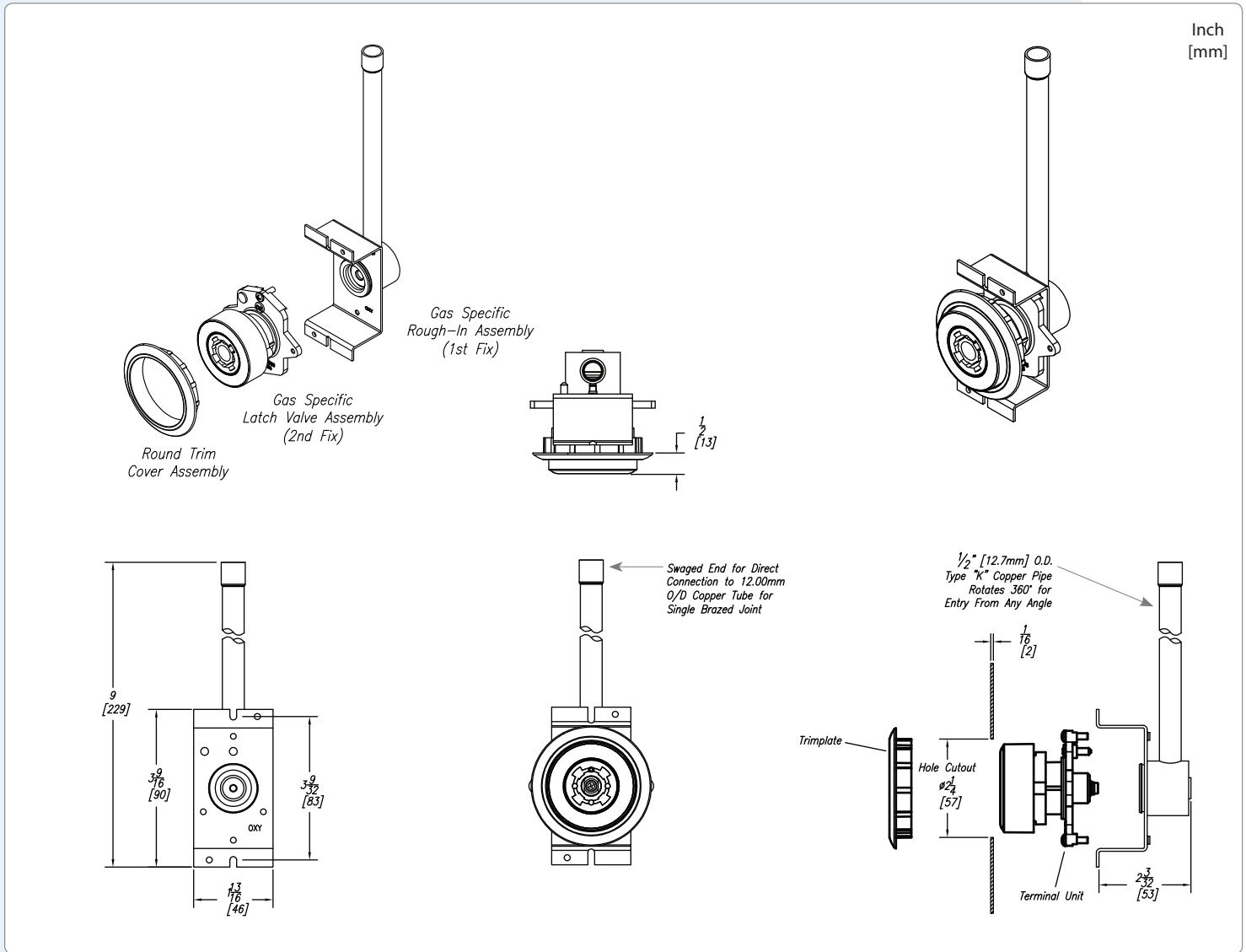
**Project**

---

---

---

# Technical Specifications



## Model Numbers

### Console Mounted

#### O-FASC-BSQSL-XXX

(Front Latch Assembly)

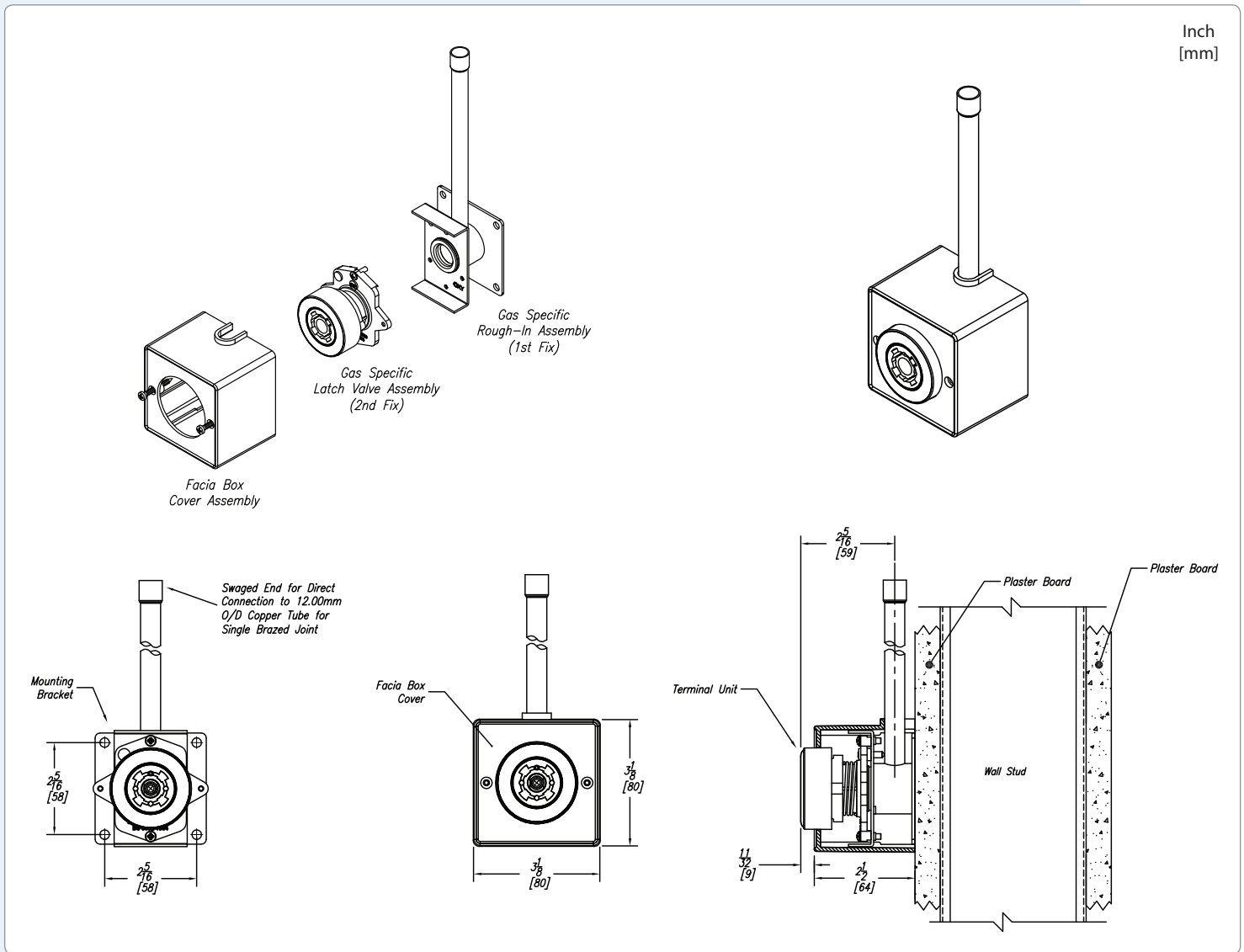
#### O-BSQSL-CON-XXX

(Console Mount Terminal Assembly)

#### The "XXX" Defines the Gas:

Oxygen	= OXY
Medical Air	= AIR
Nitrous Oxide	= N2O
Vacuum	= VAC
Anesthetic Gas Scavenging System	= AGS
Surgical Air	= SAI

# Technical Specifications



Inch  
[mm]

## Model Numbers

### Surface Mounted

**O-FASC-BSQSL-XXX**

(Front Latch Assembly)

**O-BSQSL-SUR-XXX**

(Surface Mount Terminal Assembly)

**The "XXX" Defines the Gas:**

Oxygen	= OXY
Medical Air	= AIR
Nitrous Oxide	= N2O
Vacuum	= VAC
Anesthetic Gas	
Scavenging System	= AGS
Surgical Air	= SAI

Amico Corporation 85/120 Fulton Way  
Richmond Hill, ON L4B 2N4, Canada  
Toll Free Tel: 1.877.462.6426 | Toll Free Fax: 1.866.440.4986  
Tel: 905.764.0800 | Fax: 905.764.0862  
www.amico.com



Authorized Representative:  
RMS-UK Limited  
28 Trinity Road | Nailsea, Somerset  
BS484NU England  
Tel. & Fax 01275 858891