

# Flush Mount, Console Mount and Surface Mount British Standard Outlet



## Features:

- Flow rate exceeds the requirements of ISO 9170
- Accepts only British Standard type gas-specific probes (quick connects) BS 5682
- 100% Pressure testing of each outlet and cleaned for medical gas service
- Indexed to eliminate interchangeability of gas services
- 360° Swivel Inlet Pipe for easy installation (Console Mounted Terminal Unit only)

## General Specifications:

Outlets shall be manufactured with a 7-3/4" [197 mm] length type "K" 1/2" [12.7 mm] outside diameter (3/8" nominal) size copper inlet pipe stub, which is silver brazed to the outlet body. The body shall be of 1-5/16" [33 mm] diameter, one piece brass construction. For positive pressure gas services, the outlet shall be equipped with a primary and secondary check valve and the secondary check valve shall be rated at a maximum of 200 psi [1,379 kPa] in the event the primary check valve is removed for maintenance. Outlet bodies shall be gas-specific by indexing each gas service to a gas-specific dual pin indexing arrangement on the respective identification module.

A colour coded label shall be used for ease of gas identification and aesthetic appeal.

The latch-valve assembly shall be British Standard type and only accept corresponding British Standard type gas-specific adapters.

All outlets shall be cleaned and degreased for medical gas service, factory assembled and tested.

**Project**

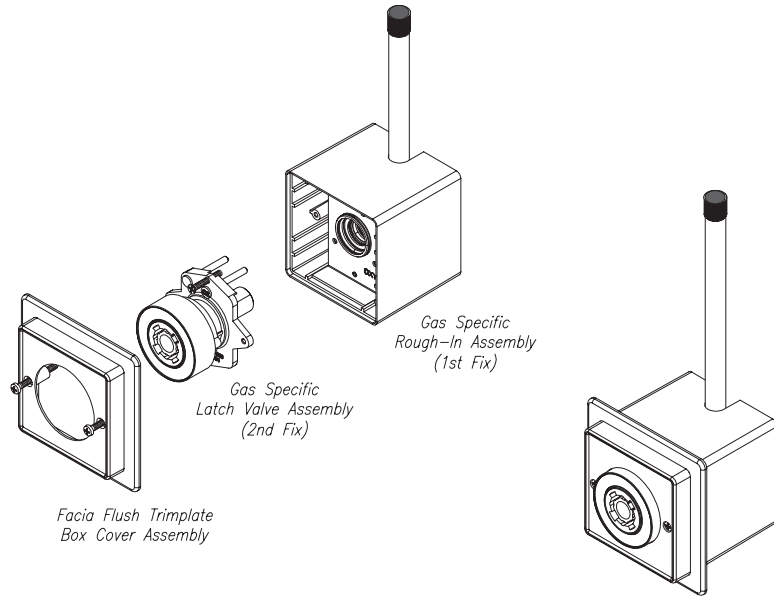
---

---

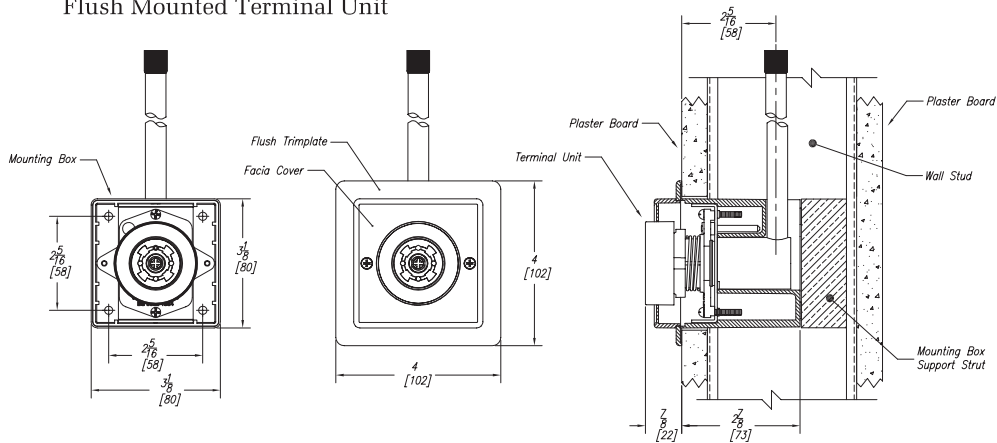
---

# Technical Specifications

Inch  
[mm]



## Flush Mounted Terminal Unit



## Model Numbers

### Flush Mounted

#### **O-FASC-BSQ-XXX**

(Front Latch Assembly)

#### **O-BSQ-REC-XXX**

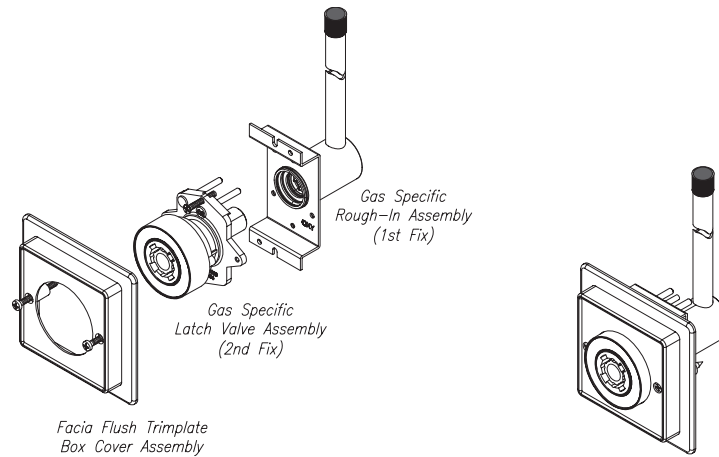
(Flush Mount Terminal Assembly)

#### The "XXX" Defines the Gas:

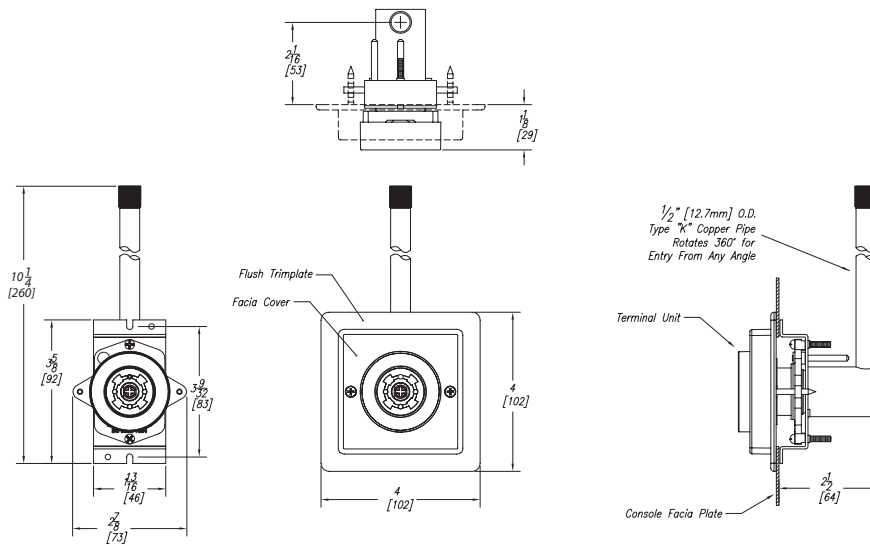
Oxygen	= OXY
Medical Air	= AIR
Nitrous Oxide	= N2O
Vacuum	= VAC
Anesthetic Gas Scavenging System	= AGS
Surgical Air	= SAI

# Technical Specifications

Inch  
[mm]



## Console Mounted Terminal Unit



## Model Numbers

### Console Mounted

#### **O-FASC-BSQ-XXX**

(Front Latch Assembly)

#### **O-BSQ-CON-XXX**

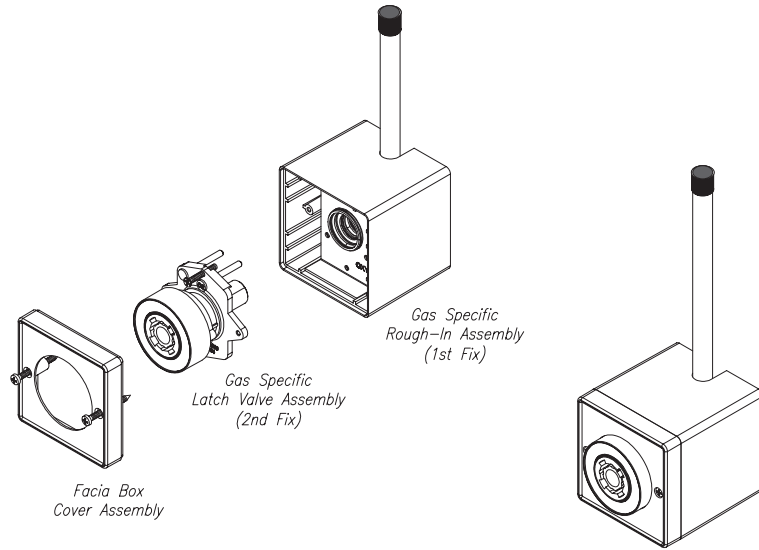
(Console Mount Terminal Assembly)

#### The "XXX" Defines the Gas:

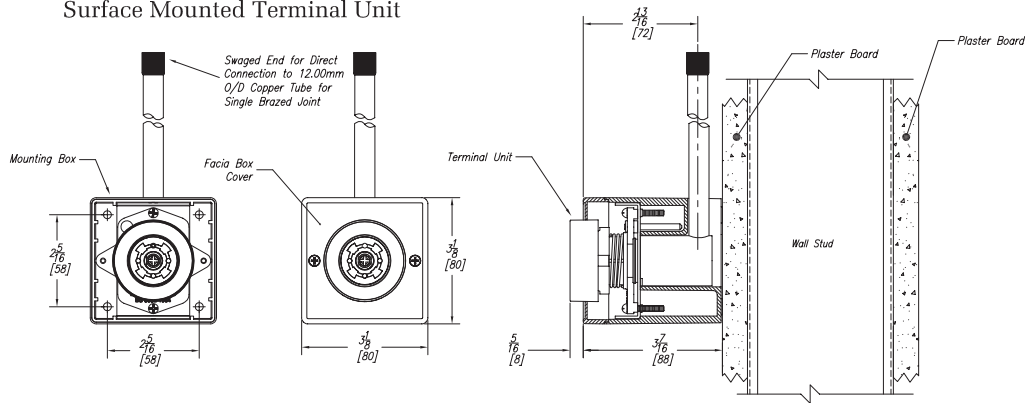
Oxygen	= OXY
Medical Air	= AIR
Nitrous Oxide	= N2O
Vacuum	= VAC
Anesthetic Gas Scavenging System	= AGS
Surgical Air	= SAI

# Technical Specifications

Inch  
[mm]



## Surface Mounted Terminal Unit



## Model Numbers

### Surface Mounted

#### **O-FASC-BSQ-XXX**

(Front Latch Assembly)

#### **O-BSQ-SUR-XXX**

(Surface Mount Terminal Assembly)

#### The "XXX" Defines the Gas:

Oxygen	= OXY
Medical Air	= AIR
Nitrous Oxide	= N2O
Vacuum	= VAC
Anesthetic Gas	
Scavenging System	= AGS
Surgical Air	= SAI

Amico Corporation 85/120 Fulton Way  
Richmond Hill, ON L4B 2N4, Canada  
Toll Free Tel: 1.877.462.6426 | Toll Free Fax: 1.866.440.4986  
Tel: 905.764.0800 | Fax: 905.764.0862  
www.amico.com



Authorized Representative:  
RMS-UK Limited  
28 Trinity Road | Nailsea, Somerset  
BS484NU England  
Tel. & Fax 01275 858891