

# Ohmeda Diamond Compatible



## General Specifications:

The medical gas outlet shall be an Amico Alert-1 series.

Outlets shall be manufactured with a 7-3/4" (197 mm) length type "K" 1/2" (12.7 mm) outside diameter (3/8" nominal) size copper inlet pipe stub, which is silver brazed to the outlet body. The body shall be of 1-5/16" (33 mm) diameter, one piece brass construction. For positive pressure gas services, the outlet shall be equipped with a primary and secondary check valve and the secondary check valve shall be rated at a maximum of 200 psi (1,379 kpa) in the event the primary check valve is removed for maintenance. Outlet bodies shall be gas specific by indexing each gas service to a gas specific dual pin indexing arrangement on the respective identification module.

A large, color coded front plate shall be used for ease of gas identification and aesthetic appeal.

The latch valve assembly shall accommodate up to 3/4" (19 mm) wall thickness.

The latch-valve assembly shall be Ohmeda Diamond™ (Ohio Medical) Quick Disconnect compatible and accept only corresponding type gas specific adapters.

All M.R.I. outlets are manufactured from nonferrous materials.

All outlets shall be cleaned and degreased for medical gas service, factory assembled and tested.

The outlets are UL listed and ETL Listed.

Amico products comply with NFPA 99 and CSA Z7396.1.

## Features:

- Flow rate exceeds the requirements of NFPA and CSA
- Accepts only Ohmeda Diamond™ gas specific adapters
- 100% Pressure testing of each outlet and cleaned for medical gas service
- Indexed to eliminate interchangeability of gas services
- Up to 3/4" (19 mm) mounting plate thickness adjustment
- Universal Rough-In Assembly to accept Quick Disconnects or DISS Front Adapters (can be interchanged at any time)
- Outlets are also available for M.R.I. use

## Project

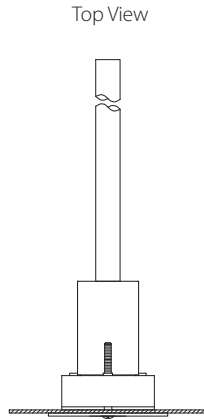
---

---

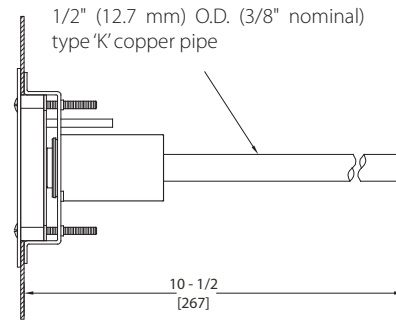
---

# Technical Specifications

Weight: 1.042 kg  
(2.297 lbs)

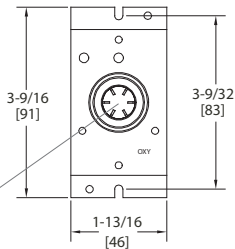


Side View

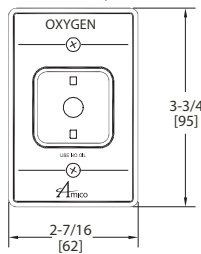


Inch  
[mm]

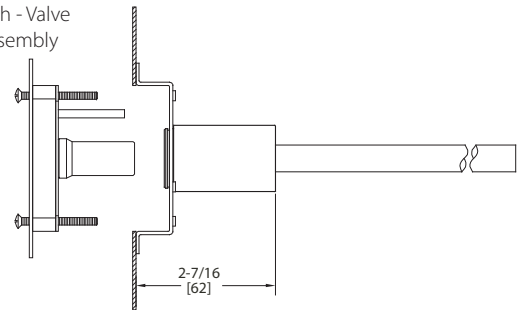
Front View  
Back  
Assembly



Front View  
Latch - Valve  
Assembly



Side View  
Latch - Valve  
Assembly



**NOTE:** For CSA/ISO, suction inlets are not supplied with a secondary check valve. A pressure plug is provided for testing purposes, rated at 150 psi (1,034 kPa).

## Model Numbers

### O-QDCCOL-L-XXX

**The "L" Defines the Language:**

- U = English (NFPA) Oxy, Air, Vac and WAG only
- E = English (CSA/ISO)
- F = French (CSA/ISO)
- SU = Spanish (NFPA)
- S = Spanish (CSA/ISO)

Example: Oxygen NFPA = **O-QDCCOL-U-OXY**

**The "XXX" Defines the Gas:**

- Oxygen = OXY
- Medical Air = AIR
- Nitrous Oxide = N2O
- Carbon Dioxide = CO2
- MedVac<sup>1</sup> = VAC
- Waste Anesthetic Gas Disposal (NFPA) = WAG
- Anesthetic Gas Scavenging System<sup>1</sup> (CSA) = AGS

<sup>1</sup>Please see note above

## M.R.I. Model Numbers

### O-QDCCOLM-L-XXX

Example: English NFPA (M.R.I.) - Oxygen = **O-QDCCOLM-U-OXY**

**NOTE:** For ceiling applications, only DISS outlets are recommended