

Dual Outlet Wall Outlet NFPA



General Specifications:

The Amico Dual Outlet combines two Front Latch Valve Assemblies into a single, compact design. The Amico Dual Outlet saves space, reduces construction cost and ensures healthcare providers always have the right connection.

A large, color coded front plate shall be used for ease of gas identification and aesthetic appeal.

The Dual Outlet shall only accept corresponding gas specific adapters and the back is pin indexed to fit into its respective gas specific rough-in.

All outlets shall be cleaned and degreased for medical gas service, factory assembled and tested.

Amico products comply with NFPA 99 and CSA Z7396.1.

Note:

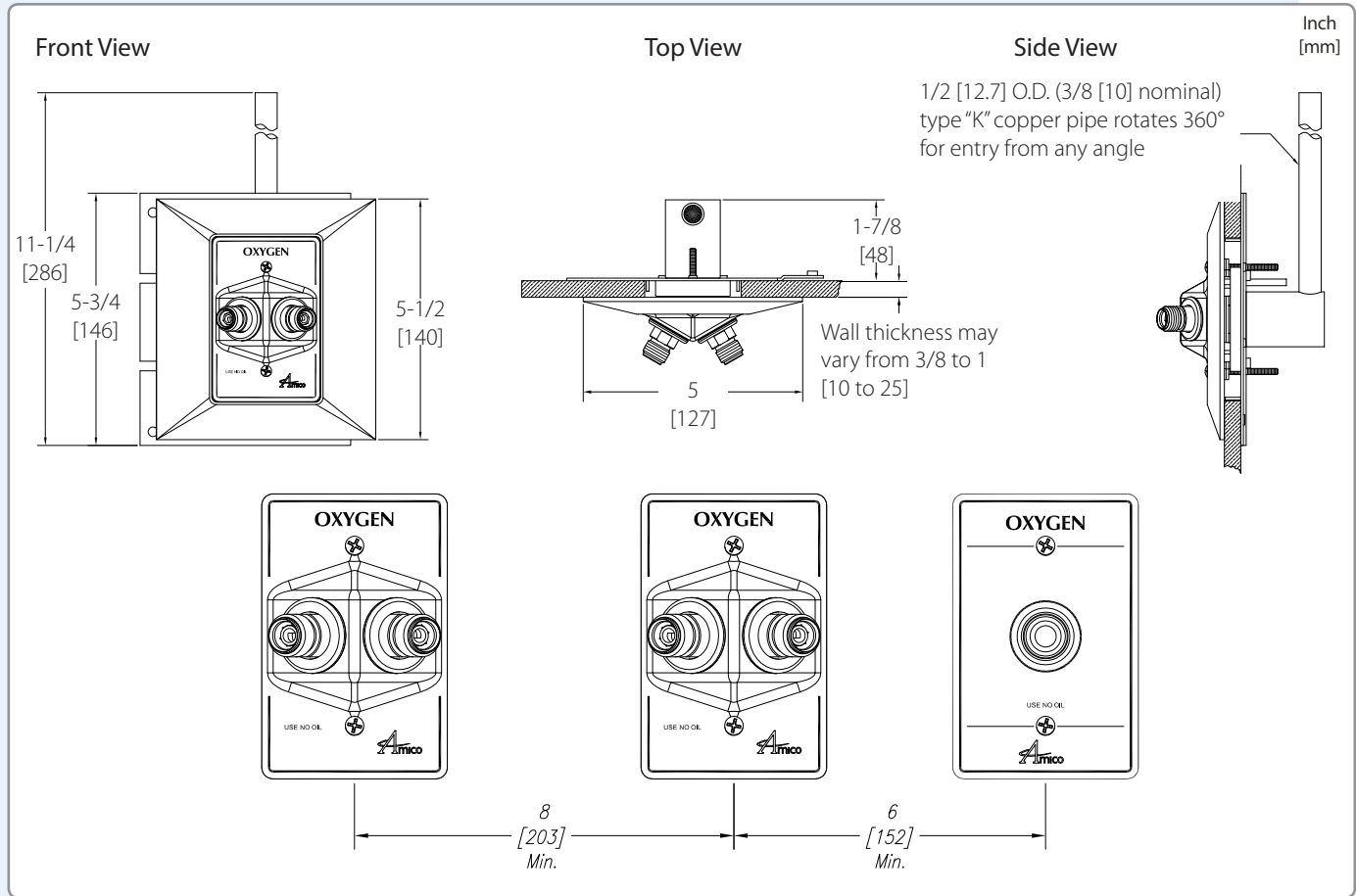
The Amico Dual Outlet is recommended to be used with 3/8" (10 mm) ID (nominal) rough-ins.

Features:

- Flow rate exceeds the requirements of NFPA and CSA
- Accepts only gas specific adapters
- Indexed to eliminate interchangeability of gas services
- Up to 1" (25 mm) wall thickness adjustment
- 2 in 1 outlet design
- Various combinations using Ohmeda, Chemetron and DISS connections

Project

Technical Specifications



The Letter "X" Defines the Left Side Connection Options:

- DISS = D
- Ohmeda Connection = Q
- Chemetron = C
- 15LPM Thorpe Flowmeter = T15

Model Numbers

The Letter "Y" Defines the Right Side Connection Options:

- DISS = D
- Ohmeda Connection = Q
- Chemetron = C
- 15LPM Thorpe Flowmeter = T15

Dual Outlet (front only):

Outlet — **O-DZZZ-XY-L-GAS**

The Letters "ZZZ" Defines the Rough-In Type:

- Amico Double Pin Indexing = FAC
- Amico Single Pin Indexing = FPC

Dual

The Letter "L" Defines the Language:

- English (NFPA) = U
- Spanish (NFPA) = SU

The Word "GAS" Defines the Type of Gas:

- Oxygen = OXY
- Medical Air = AIR

QTY.1

O-BAKW-L-XXX

(Rough-in Assembly)

QTY.1

O-TRIM-M500C

(Trim Plate)

Amico Corporation 85 Fulton Way, Richmond Hill, ON L4B 2N4, Canada | 71 East Industry Court, Deer Park, NY 11729, USA
 Toll Free Tel: 1.877.462.6426 | Toll Free Fax: 1.866.440.4986 | Tel: 905.764.0800 | Fax: 905.764.0862